

SKILL LEVEL



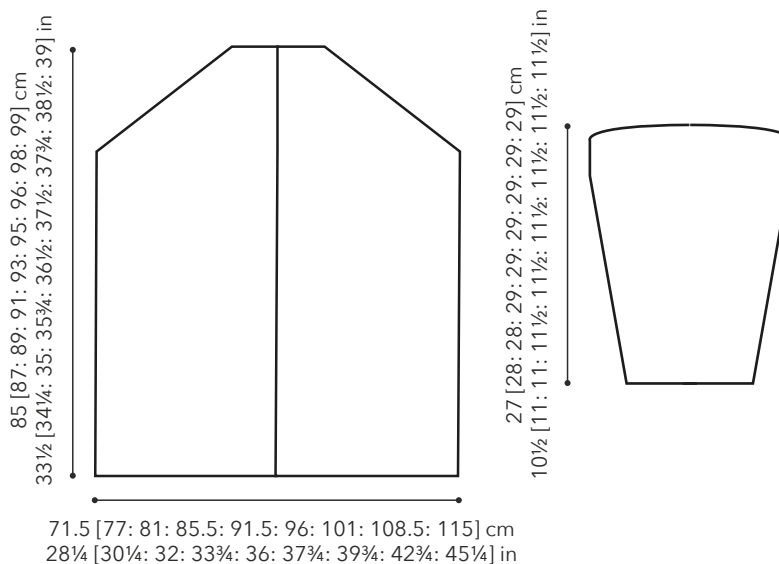
blake

DESIGNED BY

Lisa Richardson



schematic



SIZE

To fit bust

71-76	81-86	91-97	102-107	112-117	122-127	132-137	142-147	152-157	cm
28-30	32-34	36-38	40-42	44-46	48-50	52-54	56-58	60-62	in

Actual bust measurement of garment

143	154.5	162	171.5	183	192.5	202	217	230.5	cm
56¼	60¾	63¾	67½	72	75¾	79½	85½	90¾	in

YARN

Merino Aria

22	24	25	26	26	27	27	28	28	x 50gm
----	----	----	----	----	----	----	----	----	--------

(photographed in Snow 47)

NEEDLES

1 pair 7mm (no 2) (US 10½) needles
Cable needle

TENSION

21 sts and 22 rows to 10 cm / 4 in measured over patt using 7mm (US 10½) needles.

SPECIAL ABBREVIATIONS

C12B = slip next 6 sts onto cable needle and leave at back of work, K6, then K6 from cable needle

C12F = slip next 6 sts onto cable needle and leave at front of work, K6, then K6 from cable needle

SKILL LEVEL



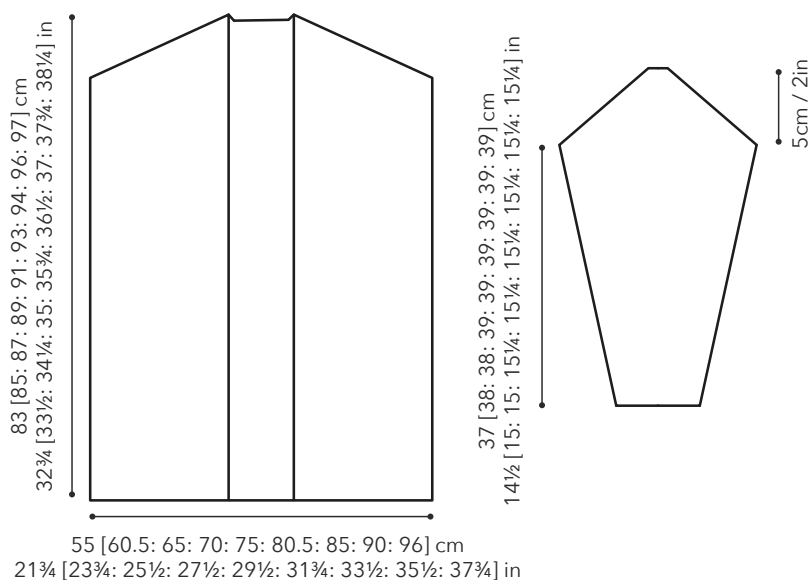
levi

DESIGNED BY

Georgia Farrell



schematic



SIZE

To fit bust

71-76	81-86	91-97	102-107	112-117	122-127	132-137	142-147	152-157	cm
28-30	32-34	36-38	40-42	44-46	48-50	52-54	56-58	60-62	in

Actual bust measurement of garment

110.5	121	129.5	140	150.5	161	169.5	180	192	cm
43½	47¾	51	55	59¼	63½	66¾	70¾	75½	in

YARN

Alpaca Classic

11	11	12	13	14	14	15	15	16	x 25gm
----	----	----	----	----	----	----	----	----	--------

(photographed in Cinnamon 118 & Champagne 127)

NEEDLES

1 pair 3¾mm (no 9) (US 5) needles

3¾mm (no 9) (US 5) circular needle at least 120 cm / 47 in long

TENSION

23 sts and 32 rows to 10 cm / 4 in measured over patt using 3¾mm (US 5) needles.

SKILL LEVEL



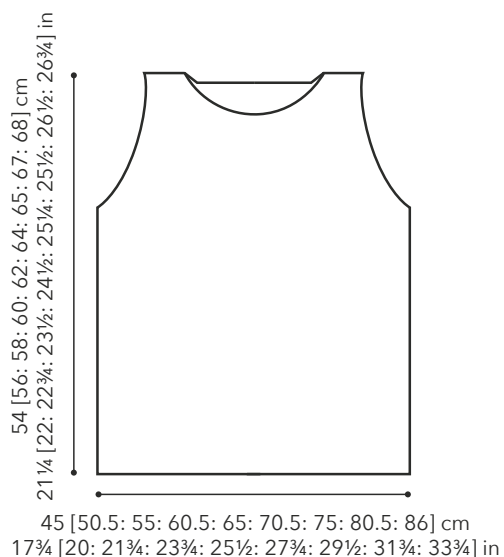
bronx

DESIGNED BY

Chloe Thurlow



schematic



SIZE

To fit bust

71-76	81-86	91-97	102-107	112-117	122-127	132-137	142-147	152-157	cm
28-30	32-34	36-38	40-42	44-46	48-50	52-54	56-58	60-62	in

Actual bust measurement of garment

90	101	110	121	130	141	150	161	172	cm
35 1/2	39 3/4	43 1/4	47 3/4	51 1/4	55 1/2	59	63 1/2	67 3/4	in

YARN

Kidsilk Haze

A Lustre 686

2	2	2	2	2	2	3	3	3	x 25gm
---	---	---	---	---	---	---	---	---	--------

B Cream 634

1	1	1	1	2	2	2	2	2	x 25gm
---	---	---	---	---	---	---	---	---	--------

C Bark 674

1	1	1	1	1	1	1	2	2	x 25gm
---	---	---	---	---	---	---	---	---	--------

D Nectar 687

1	1	2	2	3	3	4	4	4	x 25gm
---	---	---	---	---	---	---	---	---	--------

NEEDLES

1 pair 3 1/2mm (no 10/9) (US 4) needles

1 pair 4mm (no 8) (US 6) needles

SKILL LEVEL



mae

DESIGNED BY

Chloe Thurlow



FINISHED SIZE

Completed scarf is 26 cm (10¼ in) wide and 180 cm (70¾ in) long, excluding fringe.

YARN

Kid Classic

4 x 50gm

(photographed in Bittersweet 866)

NEEDLES

1 pair 5mm (no 6) (US 8) needles

Cable needle

TENSION

19 sts and 25 rows to 10 cm / 4 in measured over st st using 5mm (US 8) needles. Cabled panel (17 sts) measures 6 cm / 2¼ in.

SPECIAL ABBREVIATIONS

C6B = slip next 3 sts onto cable needle and leave at back of work, K3, then K3 from cable needle

C6F = slip next 3 sts onto cable needle and leave at front of work, K3, then K3 from cable needle.

SKILL LEVEL



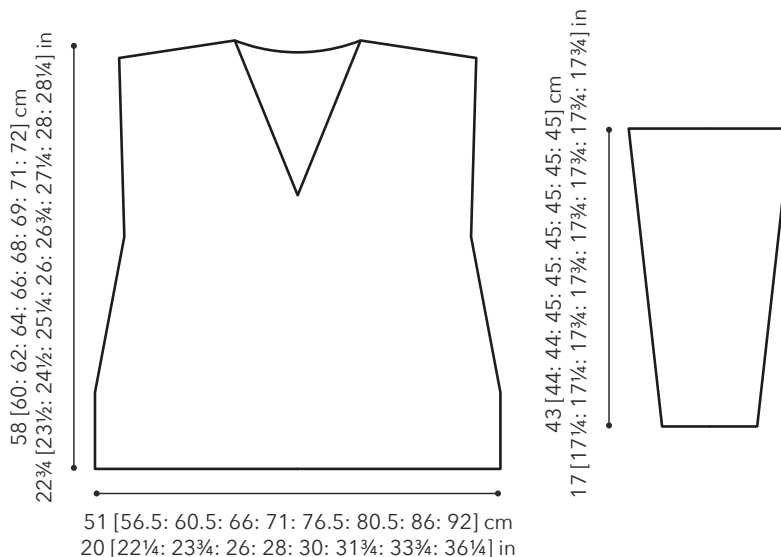
wren

DESIGNED BY

Chloe Thurlow



schematic



SIZE

To fit bust

71-76	81-86	91-97	102-107	112-117	122-127	132-137	142-147	152-157	cm
28-30	32-34	36-38	40-42	44-46	48-50	52-54	56-58	60-62	in

Actual bust measurement of garment

102	112.5	121	131.5	142	152.5	161	171.5	184	cm
40¼	44¼	47¾	51¾	56	60	63½	67½	72½	in

YARN

Kid Classic

7	7	8	8	9	9	10	10	11	x 50gm
---	---	---	---	---	---	----	----	----	--------

(photographed in Bittersweet 868 & Champagne 898)

NEEDLES

- 1 pair 5mm (no 6) (US 8) needles
- 2 double-pointed 4mm (no 8) (US 6) needles
- Cable needle

TENSION

19 sts and 25 rows to 10 cm / 4 in measured over st st using 5mm (US 8) needles.

SKILL LEVEL



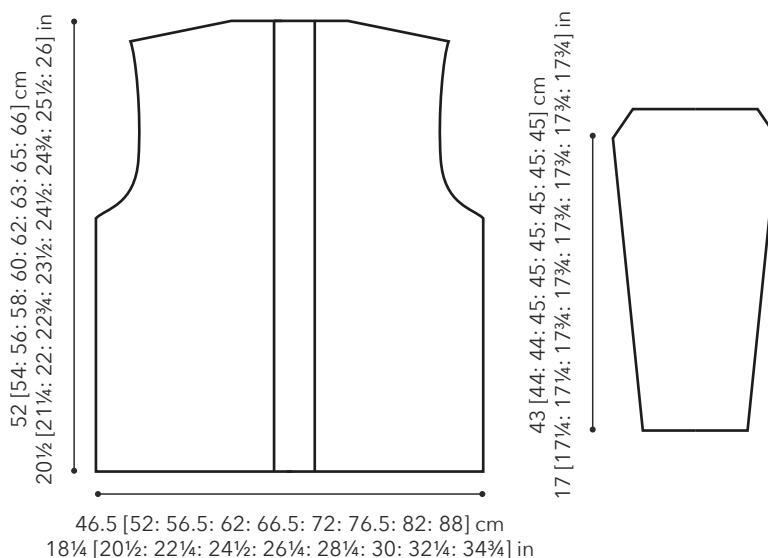
kai

DESIGNED BY

Erika Knight



schematic



SIZE

To fit bust

71-76	81-86	91-97	102-107	112-117	122-127	132-137	142-147	152-157	cm
28-30	32-34	36-38	40-42	44-46	48-50	52-54	56-58	60-62	in

Actual bust measurement of garment

93	104.5	113	124.5	133	144.5	153	164.5	175.5	cm
36½	41¼	44½	49	52¼	57	60¾	64¾	69	in

YARN

Merino Aria

9	10	11	12	13	14	15	16	17	x 50gm
---	----	----	----	----	----	----	----	----	--------

(photographed in Natural 41 & Snow 47)

NEEDLES

1 pair 7mm (no 2) (US 10½) needles

1 pair 8mm (no 0) (US 11) needles

BUTTONS - 5

TENSION

14 sts and 18 rows to 10 cm / 4 in measured over patt, 16 sts and 18 rows to 10 cm / 4 in measured over rib when pressed, both using 8mm (US 11) needles.

SKILL LEVEL



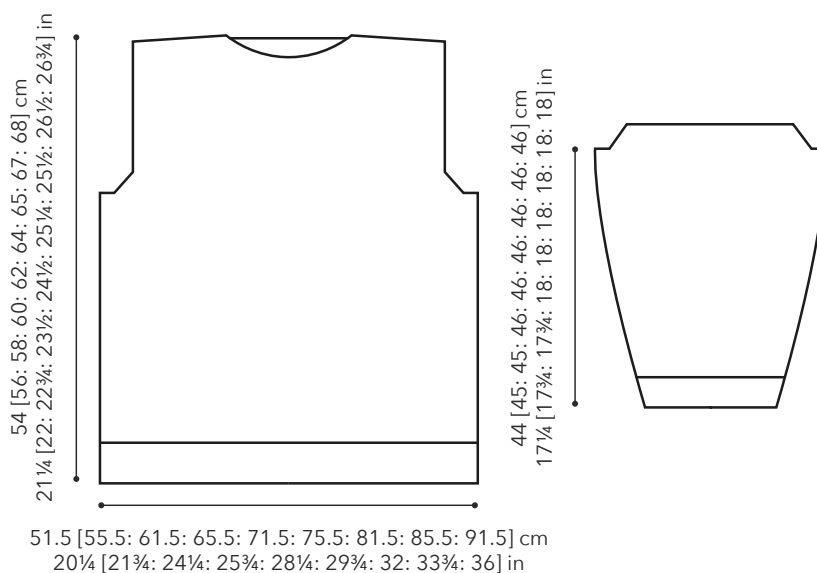
sadie

DESIGNED BY

Martin Storey



schematic



SIZE

To fit bust

71-76	81-86	91-97	102-107	112-117	122-127	132-137	142-147	152-157	cm
28-30	32-34	36-38	40-42	44-46	48-50	52-54	56-58	60-62	in

Actual bust measurement of garment

103	111.5	123	131.5	143	151.5	163	171.5	183	cm
40 1/2	44	48 1/2	51 3/4	56 1/4	59 3/4	64 1/4	67 1/2	72	in

YARN

Merino Aria

9	9	10	11	11	12	12	13	13	x 50gm
---	---	----	----	----	----	----	----	----	--------

(photographed in Snow 47 & Biscuit 48))

NEEDLES

- 1 pair 6mm (no 4) (US 10) needles
- 1 pair 7mm (no 2) (US 10 1/2) needles

TENSION

14 sts and 21 rows to 10 cm / 4 in measured over patt using 7mm (US 10 1/2) needles.

Inc 1 st at each end of 5th [5th: 5th: 5th: 3rd: 3rd: 3rd: 3rd: 3rd] and every foll 4th [4th: 4th: 4th: 4th: alt: alt: alt: alt] row to 42 [52: 60: 66: 76: 46: 50: 58: 62] sts, then on every foll 6th [6th: 6th: 6th: -: 4th: 4th: 4th: 4th] row until there are 60 [64: 68: 72: -: 80: 82: 86: 88] sts, taking inc sts into patt.
Cont straight until sleeve meas 44 [45: 45: 46: 46: 46: 46: 46: 46] cm, ending with RS facing for next row.

Shape top

Keeping patt correct, cast off 2 sts at beg of next 2 rows. 56 [60: 64: 68: 72: 76: 78: 82: 84] sts.
Dec 1 st at each end of next and foll 4 alt rows, then on foll row, ending with RS facing for next row.
Cast off rem 44 [48: 52: 56: 60: 64: 66: 70: 72] sts.

MAKING UP

Press as described on the information page.

Join right shoulder seam.

Neckband

With RS facing and using 6mm (US 10) needles, pick up and knit 12 [12: 12: 14: 14: 16: 16: 16: 18] sts down left side of front neck, K across 8 [10: 10: 10: 10: 10: 10: 10: 8] sts on front holder, pick up and knit 12 [12: 12: 14: 14: 16: 16: 16: 18] sts up right side of front neck, and 5 sts down right side of back neck, K across 16 [18: 18: 20: 20: 22: 22: 22: 22] sts on back holder inc 0 [0: 0: 2: 2: 0: 0: 0: 2] sts evenly across, then pick up and knit 5 sts up left side of back neck. 58 [62: 62: 70: 70: 74: 74: 74: 78] sts.
Beg with row 2, work in rib as given for back for 7 rows, ending with RS facing for next row.
Cast off in rib.

Join left shoulder and neckband seam. See information page for finishing instructions, setting in sleeves using the shallow set-in method.



SKILL LEVEL



maisie

DESIGNED BY

Martin Storey



FINISHED SIZE

Completed scarf is 50 cm (19¾ in) wide and 208 cm (82 in) long.

YARN

Merino Aria

10 x 50gm

(photographed in Natural 41)

NEEDLES

1 pair 7mm (no 2) (US 10½) needles

TENSION

14 sts and 21 rows to 10 cm / 4 in measured over patt using 7mm (US 10½) needles.

SKILL LEVEL



callie

DESIGNED BY

Georgia Farrell



FINISHED SIZE

Completed scarf is 19 cm (7½ in) wide and 240 cm (94½ in) long.

YARN

Merino Aria and Soft Boucle

A Aria

Bear 42

3 x 50gm

B Boucle

Bear 604

3 x 50gm

NEEDLES

1 pair 10mm (no 000) (US 15) needles

TENSION

10½ sts and 13 rows to 10 cm / 4 in measured over rib using 10mm (US 15) needles and one strand each of yarns A and B held together.

SKILL LEVEL



waldorf

DESIGNED BY

Lisa Richardson



FINISHED SIZE

Completed wrap is 71 cm (28 in) wide and 176 cm (69¼ in) long.

YARN

Soft Boucle

A Biscuit 608

4 x 50gm

B Snow 600

4 x 50gm

NEEDLES

1 pair 6mm (no 4) (US 10) needles

TENSION

12 sts and 23 rows to 10 cm / 4 in measured over patt using 6mm (US 10) needles.

SKILL LEVEL



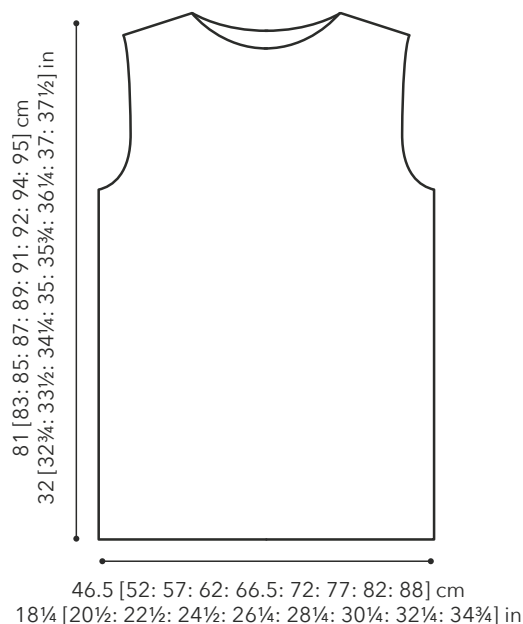
petra

DESIGNED BY

Erika Knight



schematic



SIZE

To fit bust

71-76	81-86	91-97	102-107	112-117	122-127	132-137	142-147	152-157	cm
28-30	32-34	36-38	40-42	44-46	48-50	52-54	56-58	60-62	in

Actual bust measurement of garment

93.5	103.5	114	124.5	133.5	143.5	154	164.5	176.5	cm
36 3/4	40 3/4	45	49	52 1/2	56 1/2	60 3/4	64 3/4	69 1/2	in

YARN

Kid Classic

8	8	9	9	10	10	10	11	11	x 50gm
---	---	---	---	----	----	----	----	----	--------

(photographed in Champagne 898)

NEEDLES

1 pair 4 1/2mm (no 7) (US 7) needles

1 pair 5mm (no 6) (US 8) needles

Cable needle

TENSION

27 sts and 32 rows to 10 cm / 4 in measured over patt using 5mm (US 8) needles.

SPECIAL ABBREVIATIONS

C4B = slip next 2 sts onto cable needle and leave at back of work, K2, then K2 from cable needle.

C4F = slip next 2 sts onto cable needle and leave at front of work, K2, then K2 from cable needle.

SKILL LEVEL



sia

DESIGNED BY

Erika Knight



FINISHED SIZE

Completed scarf is 35.5 cm (14 in) wide and 188 cm (74 in) long.

YARN

Kid Classic

7 x 50gm
(photographed in Champagne 898)

NEEDLES

5mm (no 6) (US 8) circular needle at least 120 cm / 48 in long
Cable needle

TENSION

27 sts and 32 rows to 10 cm / 4 in measured over patt using 5mm (US 8) needles.

SPECIAL ABBREVIATIONS

C4B = slip next 2 sts onto cable needle and leave at back of work, K2, then K2 from cable needle;

C4F = slip next 2 sts onto cable needle and leave at front of work, K2, then K2 from cable needle.

SKILL LEVEL



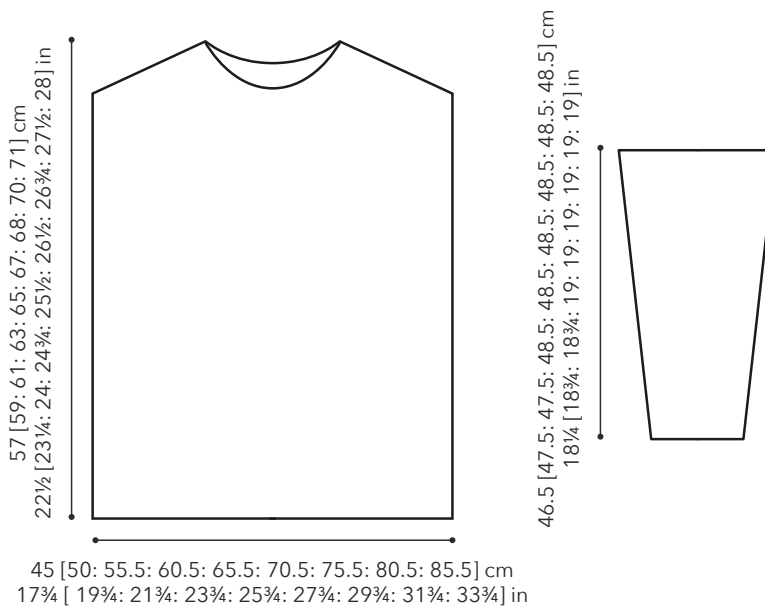
blair

DESIGNED BY

Quail Studio



schematic



SIZE

To fit bust

71-76	81-86	91-97	102-107	112-117	122-127	132-137	142-147	152-157	cm
28-30	32-34	36-38	40-42	44-46	48-50	52-54	56-58	60-62	in

Actual bust measurement of garment

90	100	111	121	131	141	151	161	171	cm
35½	39¾	43¾	47¾	51½	55½	59½	63½	67¼	in

Soft Boucle

6	6	6	7	7	8	8	9	9	x 50gm
---	---	---	---	---	---	---	---	---	--------

(photographed in Natural 41 & Biscuit 48)

NEEDLES

1 pair 6mm (no 4) (US 10) needles

TENSION

12.5 sts and 17 rows to 10 cm / 4 in measured over st st using 6mm (US 10) needles.

SKILL LEVEL



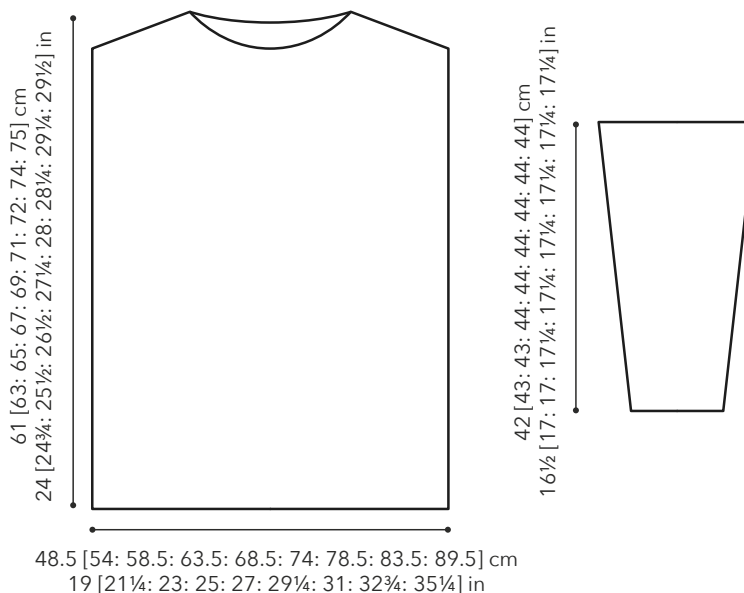
serena

DESIGNED BY

Quail Studio



schematic



SIZE

To fit bust

71-76	81-86	91-97	102-107	112-117	122-127	132-137	142-147	152-157	cm
28-30	32-34	36-38	40-42	44-46	48-50	52-54	56-58	60-62	in
Actual bust measurement of garment									
97.5	108	116.5	127	137.5	148	156.5	167	179	cm
38 1/2	42 1/2	45 3/4	50	54 1/4	58 1/4	61 1/2	65 3/4	70 1/2	in

YARN

Alpaca Classic

A Snowflake White 115									
3	3	3	3	3	4	4	4	4	x 25gm
B Champagne 127									
3	3	3	3	3	4	4	4	4	x 25gm
C Cinnamon 118									
3	3	3	3	3	4	4	4	4	x 25gm
D Sierra Melange 117									
3	3	4	4	4	4	5	5	5	x 25gm

NEEDLES

1 pair 3 1/4mm (no 10) (US 3) needles

1 pair 3 3/4mm (no 9) (US 5) needles

TENSION

23 sts and 31 rows to 10 cm / 4 in measured over st st using 3 3/4mm (US 5) needles.

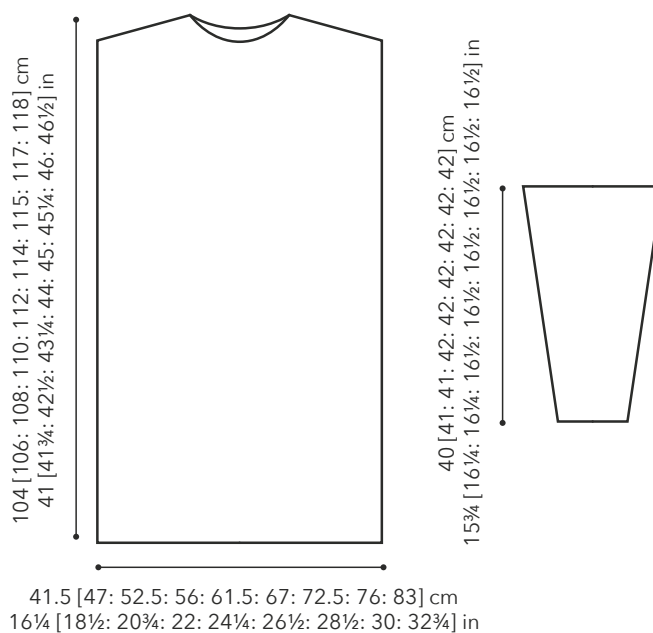
SKILL LEVEL
●●○○

eleanor

DESIGNED BY
Quail Studio



schematic



SIZE

To fit bust

71-76	81-86	91-97	102-107	112-117	122-127	132-137	142-147	152-157	cm
28-30	32-34	36-38	40-42	44-46	48-50	52-54	56-58	60-62	in

Actual bust measurement of garment

82.5	93.5	104.5	112	122.5	133.5	144.5	152	166.5	cm
32½	36¾	41¼	44	48¼	52½	57	59¾	65½	in

YARN

Alpaca Soft DK

13	14	15	17	19	20	21	23	24	x 50gm
----	----	----	----	----	----	----	----	----	--------

(photographed in Toffee 203)

NEEDLES

1 pair 4mm (no 8) (US 6) needles

TENSION

22 sts and 32 rows to 10 cm / 4 in measured over patt using 4mm (US 6) needles.

SKILL LEVEL



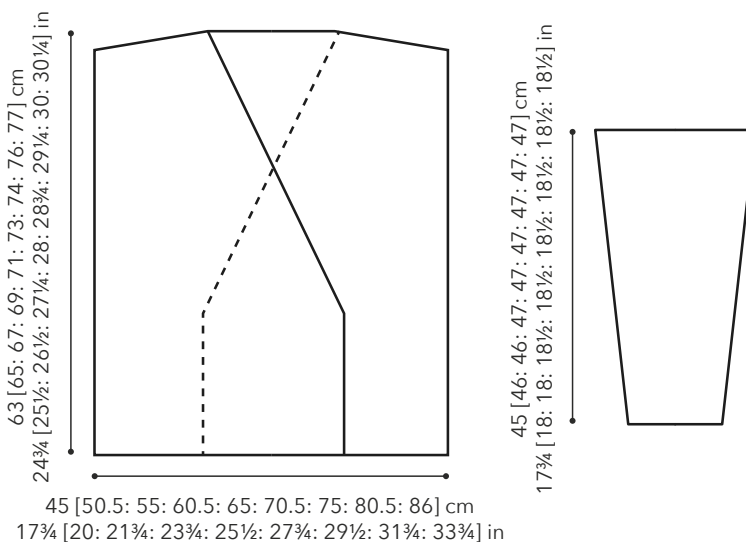
pip

DESIGNED BY

Quail Studio



schematic



SIZE

To fit bust

71-76	81-86	91-97	102-107	112-117	122-127	132-137	142-147	152-157	cm
28-30	32-34	36-38	40-42	44-46	48-50	52-54	56-58	60-62	in

Actual bust measurement of garment

90	101	110	121	130	141	150	161	172	cm
35½	39¾	43¼	47¾	51¼	55½	59	63½	67¾	in

YARN

Alpaca Soft DK

11	12	13	15	16	17	18	19	19	x 50gm
----	----	----	----	----	----	----	----	----	--------

(photographed in Toffee 203 & Stone 222)

NEEDLES

1 pair 4mm (no 8) (US 6) needles
4mm (no 8) (US 6) circular needle

EXTRAS

1 D Ring
1 Button

TENSION

22 sts and 32 rows to 10 cm / 4 in measured over patt using 4mm (US 6) needles.

SKILL LEVEL



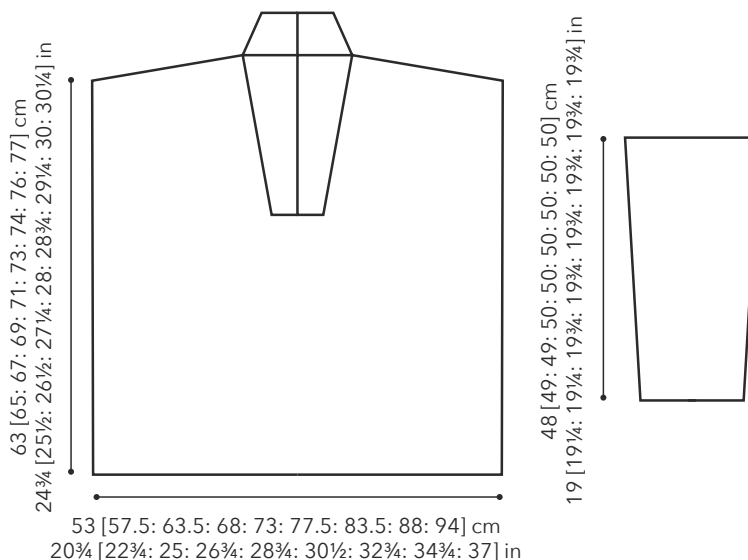
celine

DESIGNED BY

Quail Studio



schematic



SIZE

To fit bust

71-76	81-86	91-97	102-107	112-117	122-127	132-137	142-147	152-157	cm
28-30	32-34	36-38	40-42	44-46	48-50	52-54	56-58	60-62	in

Actual bust measurement of garment

105.5	115	126.5	136	145.5	155	166.5	176	187.5	cm
41½	45¼	49¾	53½	57¼	61	65½	69¼	73¾	in

YARN

Alpaca Classic

19	21	23	25	28	30	33	35	38	x 25gm
----	----	----	----	----	----	----	----	----	--------

(photographed in Sierra Melange 117 & Champagne 127)

NEEDLES

- 1 pair 4mm (no 8) (US 6) needles
- 1 pair 4½mm (no 7) (US 7) needles

EXTRAS - 30 cm zip

TENSION

21 sts and 26 rows to 10 cm / 4 in measured over rib using 4½mm (US 7) needles and yarn DOUBLE.

SKILL LEVEL



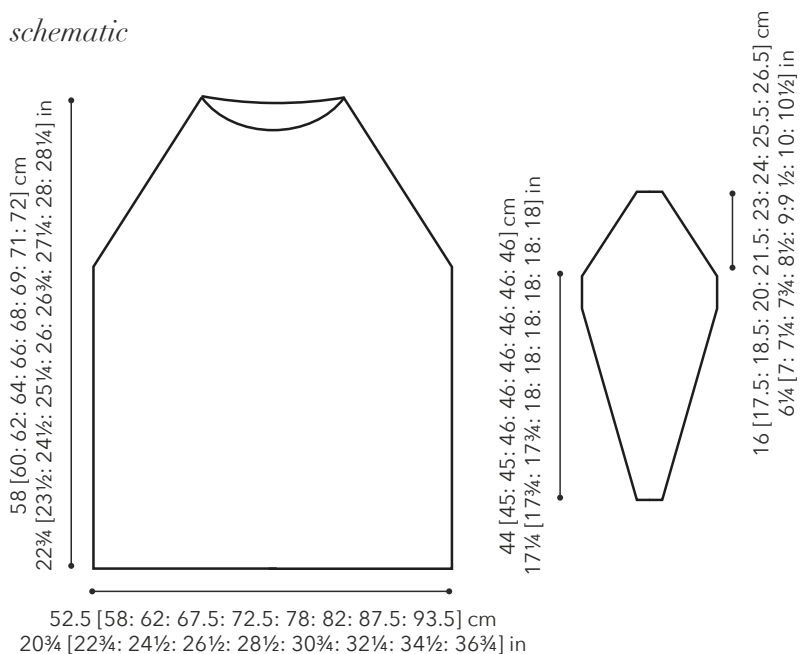
chlo

DESIGNED BY

Quail Studio



schematic



SIZE

To fit bust

71-76	81-86	91-97	102-107	112-117	122-127	132-137	142-147	152-157	cm
28-30	32-34	36-38	40-42	44-46	48-50	52-54	56-58	60-62	in

Actual bust measurement of garment

105.5	116	124	134.5	145.5	156	164	174.5	187.5	cm
41½	45¾	49	53	57¼	61½	64½	68¾	73¾	in

YARN

Kid Classic

7	7	8	8	9	9	10	10	11	x 50gm
---	---	---	---	---	---	----	----	----	--------

(photographed in Champagne 898)

NEEDLES

1 pair 4½mm (no 7) (US 7) needles

1 pair 5mm (no 6) (US 8) needles

4½mm (no 7) (US 7) circular needle

TENSION

19 sts and 25 rows to 10 cm / 4 in measured over st st using 5mm (US 8) needles.

SKILL LEVEL



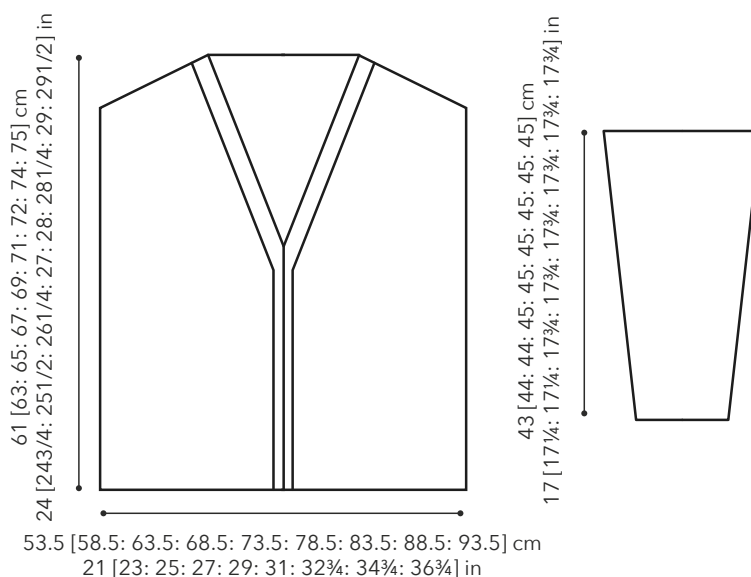
vera

DESIGNED BY

Quail Studio



schematic



SIZE

To fit bust

71-76	81-86	91-97	102-107	112-117	122-127	132-137	142-147	152-157	cm
28-30	32-34	36-38	40-42	44-46	48-50	52-54	56-58	60-62	in

Actual bust measurement of garment

106.5	116.5	126.5	136.5	146.5	156.5	166.5	176.5	186.5	cm
42	45 3/4	49 3/4	53 3/4	57 3/4	61 1/2	65 1/2	69 1/2	73 1/2	in

YARN

Rowan Soft Boucle

7	7	8	8	9	9	10	10	11	x 50gm
---	---	---	---	---	---	----	----	----	--------

(photographed in Natural 602)

NEEDLES

1 pair 6mm (no 4) (US 10) needles

6mm (no 4) (US 10) circular needle approx 100cm / 40 in in length

TENSION

12 sts and 20 rows to 10 cm / 4 in measured over rev st st using 6mm (US 10) needles.

SKILL LEVEL



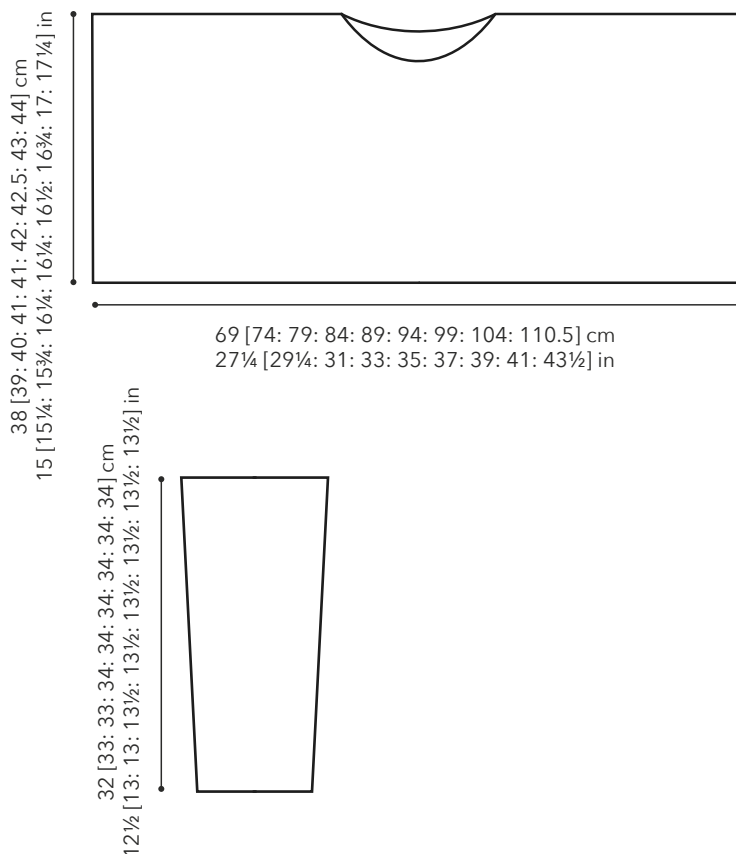
pi-per

DESIGNED BY

Annika Andrea Wolke



schematic



SIZE

To fit bust

71-76	81-86	91-97	102-107	112-117	122-127	132-137	142-147	152-157	cm
28-30	32-34	36-38	40-42	44-46	48-50	52-54	56-58	60-62	in
Actual bust measurement of garment									
137.5	148.5	157.5	168.5	177.5	188.5	197.5	208.5	221	cm
54¼	58½	62	66¼	70	74¼	77¾	82	87	in

YARN

Kidsilk Haze

5	5	5	6	6	6	7	7	7	x 25gm
---	---	---	---	---	---	---	---	---	--------

(photographed in Lustre 686 & Cream 634)

NEEDLES

- 1 pair 3mm (no 11) (US 2/3) needles
- 1 pair 3½mm (no 10/9) (US 4) needles

TENSION

26 sts and 34 rows to 10 cm / 4 in measured over st st using 3½mm (US 4) needles.

SKILL LEVEL



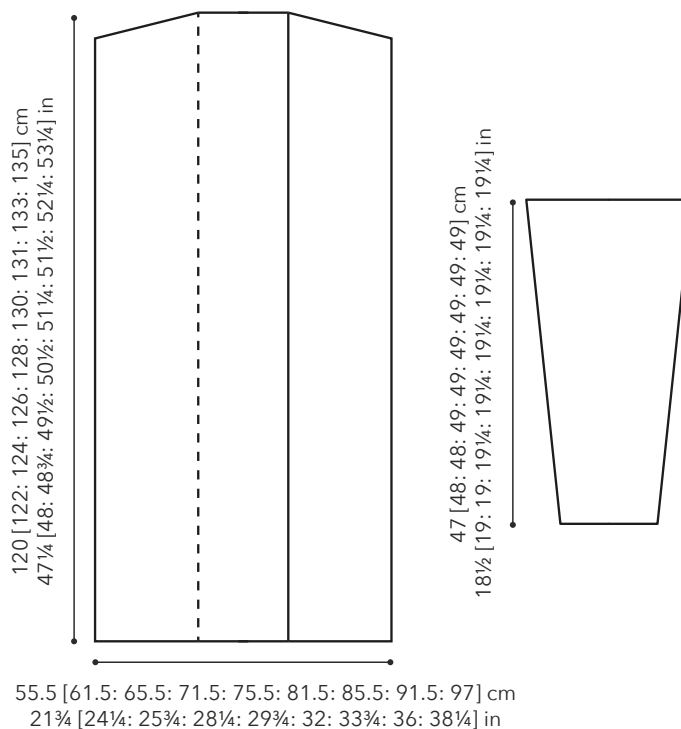
winter

DESIGNED BY

Quail Studio



schematic



SIZE

To fit bust

71-76	81-86	91-97	102-107	112-117	122-127	132-137	142-147	152-157	cm
28-30	32-34	36-38	40-42	44-46	48-50	52-54	56-58	60-62	in

Actual bust measurement of garment

111.5	123	131.5	143	151.5	163	171.5	183	194.5	cm
44	48 1/2	51 3/4	56 1/4	59 3/4	64 1/4	67 1/2	72	76 1/2	in

YARN

Soft Boucle

15	15	16	16	17	17	18	18	19	x 50gm
----	----	----	----	----	----	----	----	----	--------

(photographed in Natural 602 & Bear 604)

NEEDLES

1 pair 6 1/2mm (no 3) (US 10 1/2) needles

TENSION

14 sts and 16 rows to 10 cm / 4 in measured over rev st st using 6 1/2mm (US 10 1/2) needles.

SKILL LEVEL



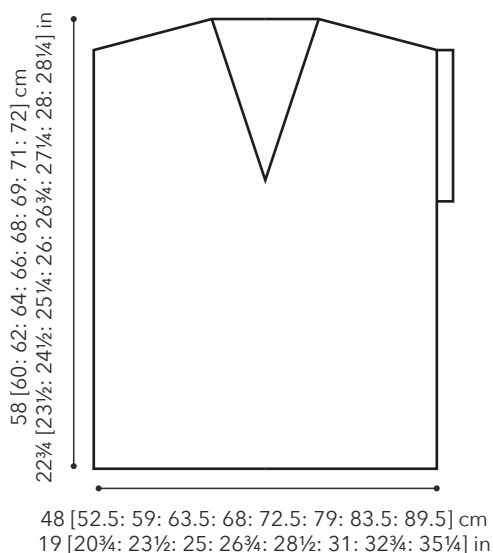
heidi

DESIGNED BY

Quail Studio



schematic



SIZE

To fit bust

71-76	81-86	91-97	102-107	112-117	122-127	132-137	142-147	152-157	cm
28-30	32-34	36-38	40-42	44-46	48-50	52-54	56-58	60-62	in

Actual bust measurement of garment

96	105	117.5	127	136	145	157.5	167	179	cm
37 3/4	41 1/4	46 1/4	50	53 1/2	57	62	65 3/4	70 1/2	in

YARN

Merino Aria and Kidsilk Haze

A Aria | Biscuit 48 & Plush 44

7	8	9	10	11	12	13	14	15	x 50gm
---	---	---	----	----	----	----	----	----	--------

B Haze | Lustre 686 & Liqueur 595

3	3	4	4	5	5	6	6	6	x 25gm
---	---	---	---	---	---	---	---	---	--------

NEEDLES

1 pair 6 1/2mm (no 3) (US 10 1/2) needles
Cable needle

TENSION

13 sts and 20 rows to 10 cm / 4 in measured over rev st st using 6 1/2mm (US 10 1/2) needles and one strand each of yarns A and B held together. Side cable panels (each 18 sts) measure 10 cm / 4 in each, and centre V panel (12 sts) measures 8 cm / 3 in.